

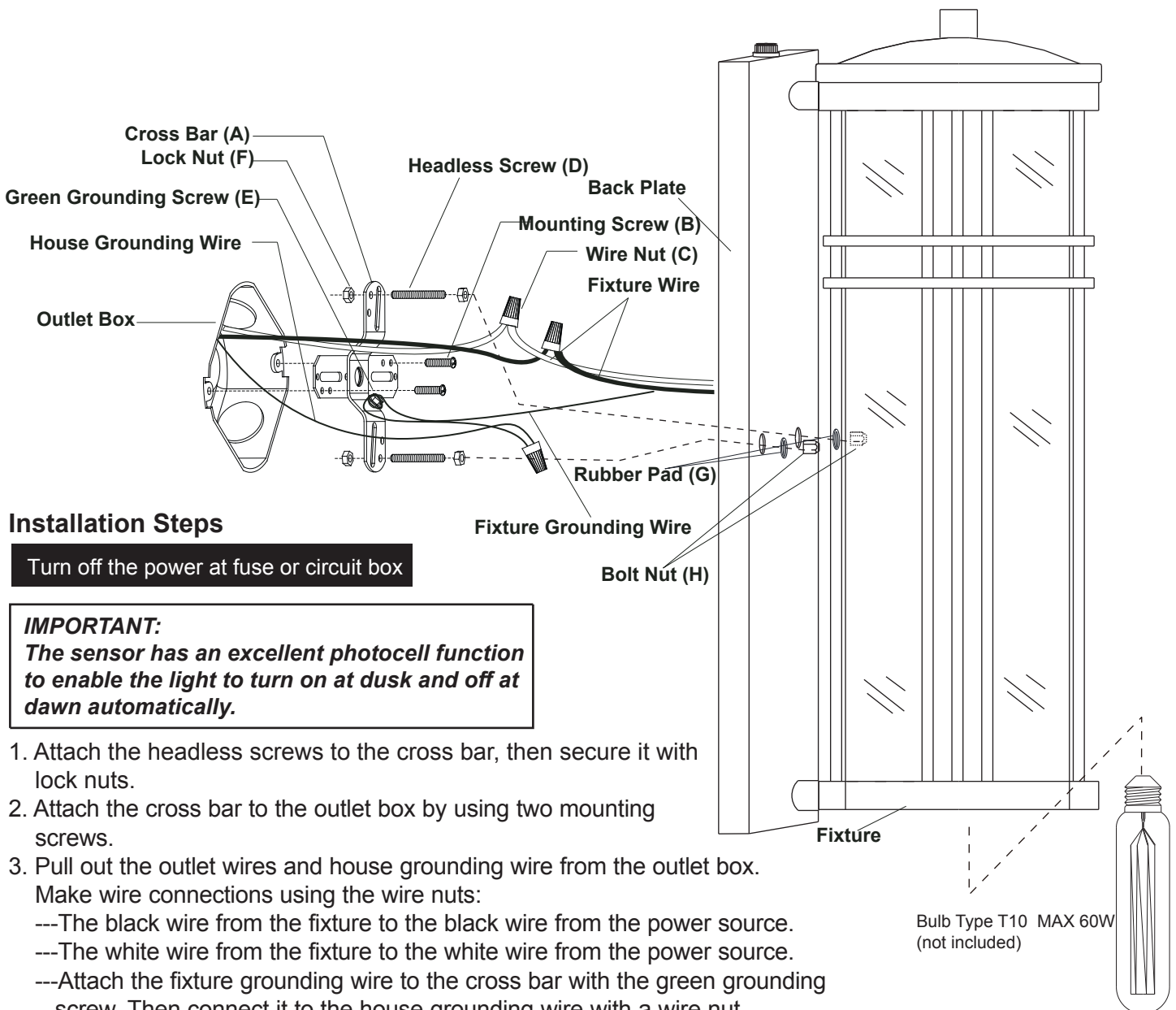
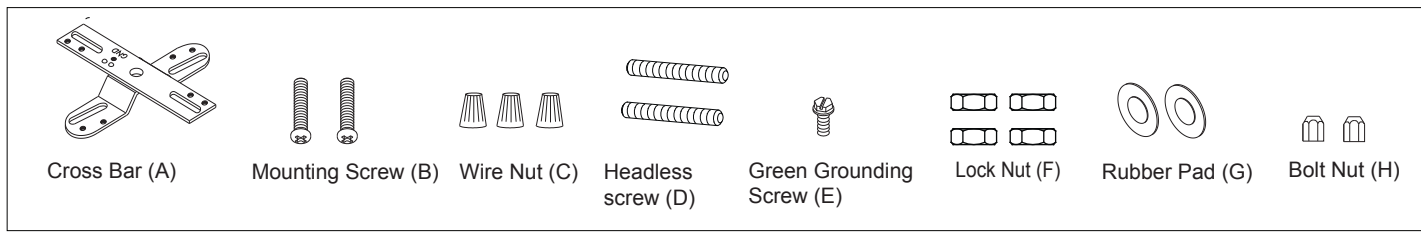
ASSEMBLY AND INSTALLATION INSTRUCTIONS

T0307

WARNING: TO AVOID RISK OF ELECTRICAL SHOCK, BE SURE TO SHUT OFF POWER WHILE INSTALLING OR SERVICING THIS FIXTURE.

NOTE: 1. Before installing, consult local electrical codes for wiring and grounding requirements.
2. READ AND SAVE THESE INSTRUCTIONS.

Parts:

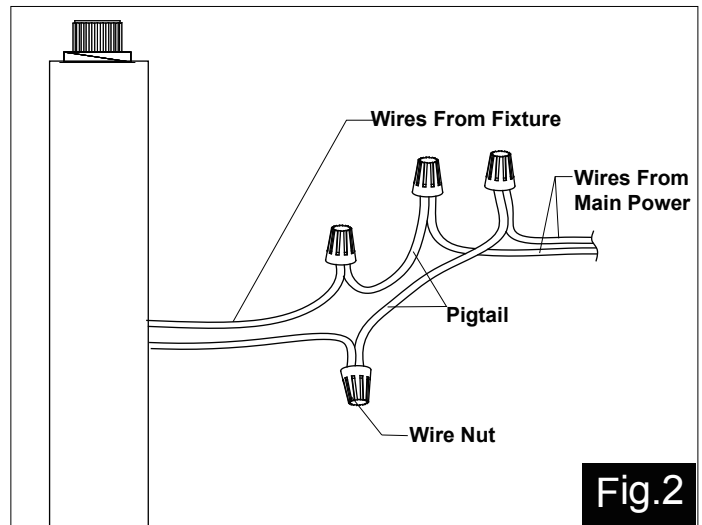
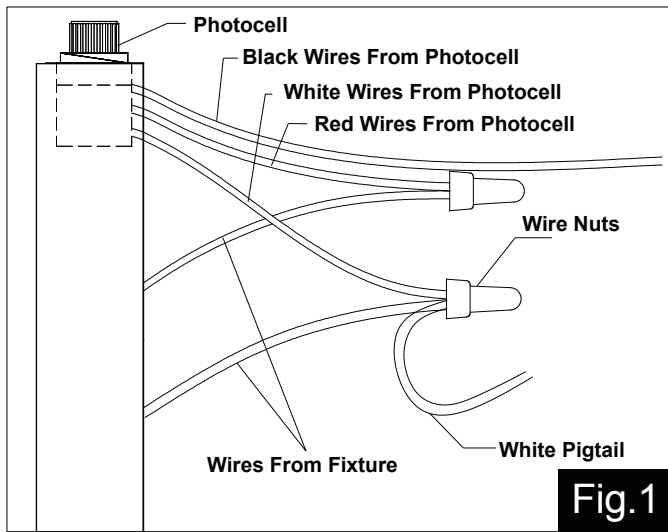


- Attach the fixture to the cross bar by inserting the headless screws, then secure it with the bolt nuts.

CAUTION: With silicone caulking compound, caulk completely around where the back plate meets with the wall surface to prevent water from seeping into the outlet box.
- Install a bulb (not included). See relamping label on socket area or packaging for maximum allowed wattage.

Turn on the power at fuse or circuit box

Operation the Unit Without Photocell

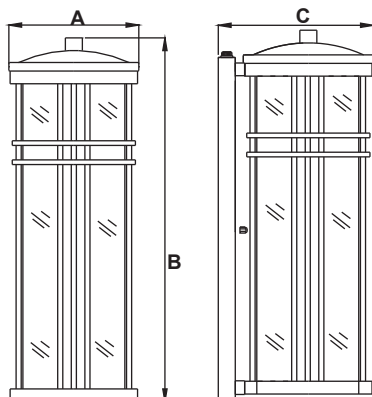
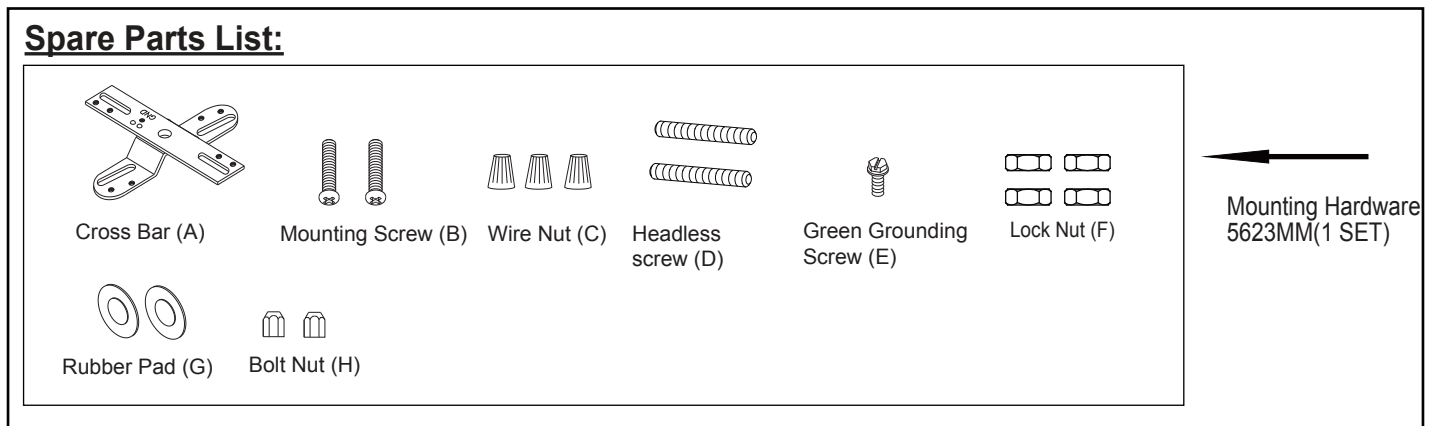


- Turn off the power at the fuse or circuit box before starting installation.
- Loosen the wire nuts connected with the wires from photocell. (See Fig.1)

Note: Do not move the photocell to prevent water from seeping into the outlet box.
- Take a white pigtail and black pigtail and make wire connections using wire nuts: (See Fig.2)
 - The black wire from the fixture to one end of the black pigtail.
 - The white wire from the fixture to one end of the white pigtail.
 - The other end of the black pigtail to the black wire from the power source.
 - The other end of the white pigtail to the white wire from the power source.
 Put all wires back into the back plate of the fixture.

The following parts are available for re-order if damaged or missing.

Spare Parts List:



A: 6"
 B: 17-1/4"
 C: 7-1/2"

VAXCEL

161014